



100 Series Inline Trailer Breakaway

Applications

Inline breakaway designed for use with high flow CNG systems such as virtual pipeline transport trailers and bulk storage.



IB108 - Inline Trailer Breakaway

Materials

Description	Material
Body	Aluminium
Seats	Delrin
Internals	304 Stainless Steel
O-rings	Hydrogenated Nitrile
Caps	304 Stainless Steel
Adaptors	304 Stainless Steel



TOOL-IB108/HC208

Product Information

Largest CNG 1" inline breakaway on the market.

SAE Ports are standard.

All products are manufactured under ISO 9001 accredited standards.

Complies to PED 2014/68/EU.

Developed with consideration of ANSI/IAS NGV4.4-1999 but with a greater emphasis on use with CNG transport trailer applications. Improvements include an increased separation force, which has been increased for better suitability in high-flow transport trailer applications. The separation force is below the tensile load safety limits of CNG hose as specified in NGV 4.2.

Body tested to 100,000 pressure cycles.

Easily reconnected after a breakaway event.

Adaptor fittings are available to adapt to other standard threads and are supplied assembled with breakaway unit.

Servicing tool TOOL-IB108/HC208 is available for purchase from Oasis.

Replacement male end of breakaway available for purchase separately.

Please contact Oasis if intended for use in public vehicle refuelling stations.



100 Series Inline Trailer Breakaway

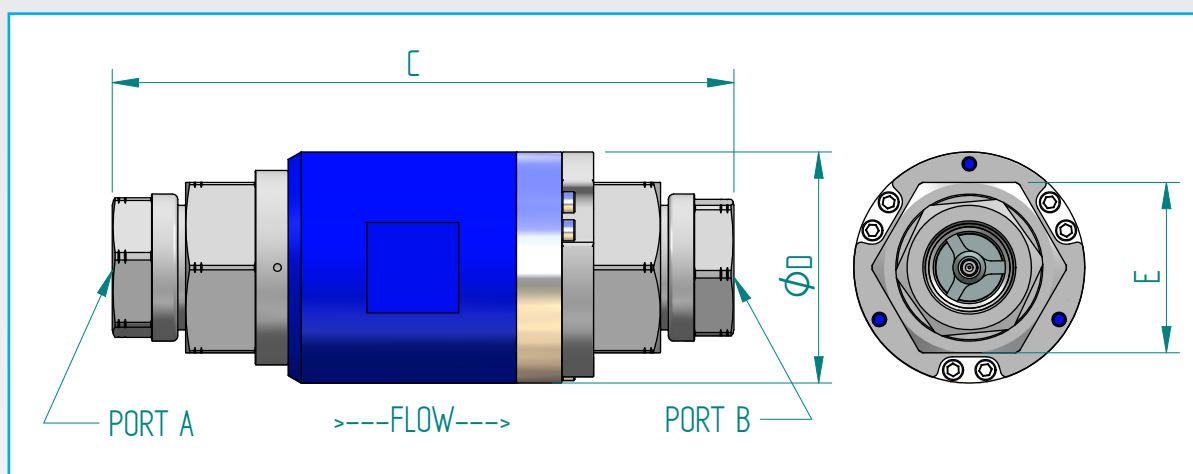
Product Specification

Part Code	Weight lb (kg)	Service Pressure psi (bar)	Max Pressure * psi (bar)	Test Pressure ^ psi (bar)	Min Temp. °F (°C)	Max Temp. °F (°C)	Time Before Rekit ^^	Cv	Service kit
IB108-ASDSU	8.1 (3.7)	3600 (250)	4500 (310)	5000 (345)	-58 (-50)	150 (65)	3 Years	14.7	IB108-SKDSU

* Maximum pressure at which the product can constantly operate at.

^ Maximum pressure that can be applied for testing without causing damage to the product.

^^ The temperature's and cycles stated depends on the system conditions and may not be achievable in all situations. Contact Oasis for further information.



Dimensions: Imperial (Metric mm)

Part Code	PORT A	PORT B	C	D	E	BREAKAWAY FORCE^
IB108-ASDSU	1 5/8 - 12 SAE*	1 5/8 - 12 SAE*	7" (180)**	3.46" (88)	2.55" (65)	400N < FORCE < 1200N
IB108-ASDSU-11	1 5/16 - 12 SAE	1 5/16 - 12 SAE	9.33" (237)	3.46" (88)	2.55" (65)	400N < FORCE < 1200N
IB108-ASDSU-22	3/4" NPT	3/4" NPT	9.33" (237)	3.46" (88)	2.55" (65)	400N < FORCE < 1200N
IB108-ASDSU-33	1" NPT	1" NPT	9.33" (237)	3.46" (88)	2.55" (65)	400N < FORCE < 1200N

* Standard Breakaway port size (No adaptor)

** Standard Breakaway length (No adaptor)

^ Force is dependant on pressure and temperature at time of separation. Other adaptor thread sizes available on request

Applications

Replacement IB108 male assembly.

Product Information

Complete replacement incase male section of breakaway is too badly damaged to be re-used.

All products are manufactured under ISO 9001 accredited standards.

Description	Material
Body	304 Stainless Steel
O-ring	Hydrogenated Nitrile



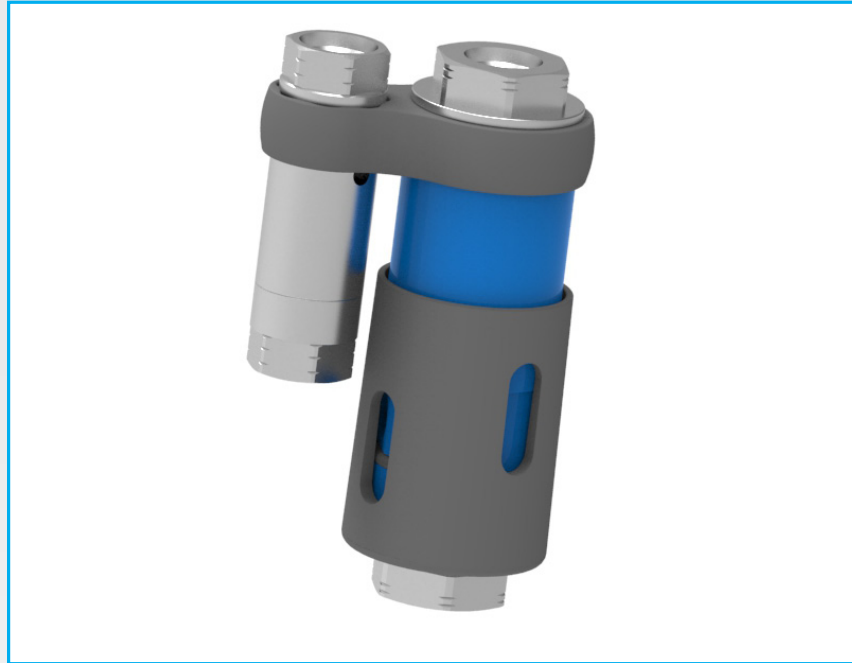
Male end replacement - IB108-ASDSU-M



100 Series Dispenser Breakaway

Applications

Inline breakaway designed for use in both public and private CNG refueling stations.



IB103-7SPSH-T - 3/8" Inline Breakaway with Vent Hose Breakaway

Materials

Item	Part	Material
1	Body	7075 Aluminum
2	Caps	316 Stainless steel
3	O-rings	Nitrile
4	Male component	316 Stainless steel
5	Springs	300 Series stainless steel
6	Bump stops	Urethane

Product Information

Protects CNG dispensers from drive-away incidents by separating and isolating the dispenser from the fill hose.

Upstream part light weight design reduces dispenser damage in case of breakaway event.

All products are manufactured under ISO 9001 accredited standards.

Complies with ANSI/IAS NGV4.4-1999 R2014 / CSA 12.54-M99.

CRN (0H22035.C) approved for all provinces and territories.

Complies to PED 2014/68/EU.

Features & Benefits

Large soft bump stops protect dispenser panels from damage.

Body tested to 102,000 pressure cycles.

Easily reconnected after a breakaway event.

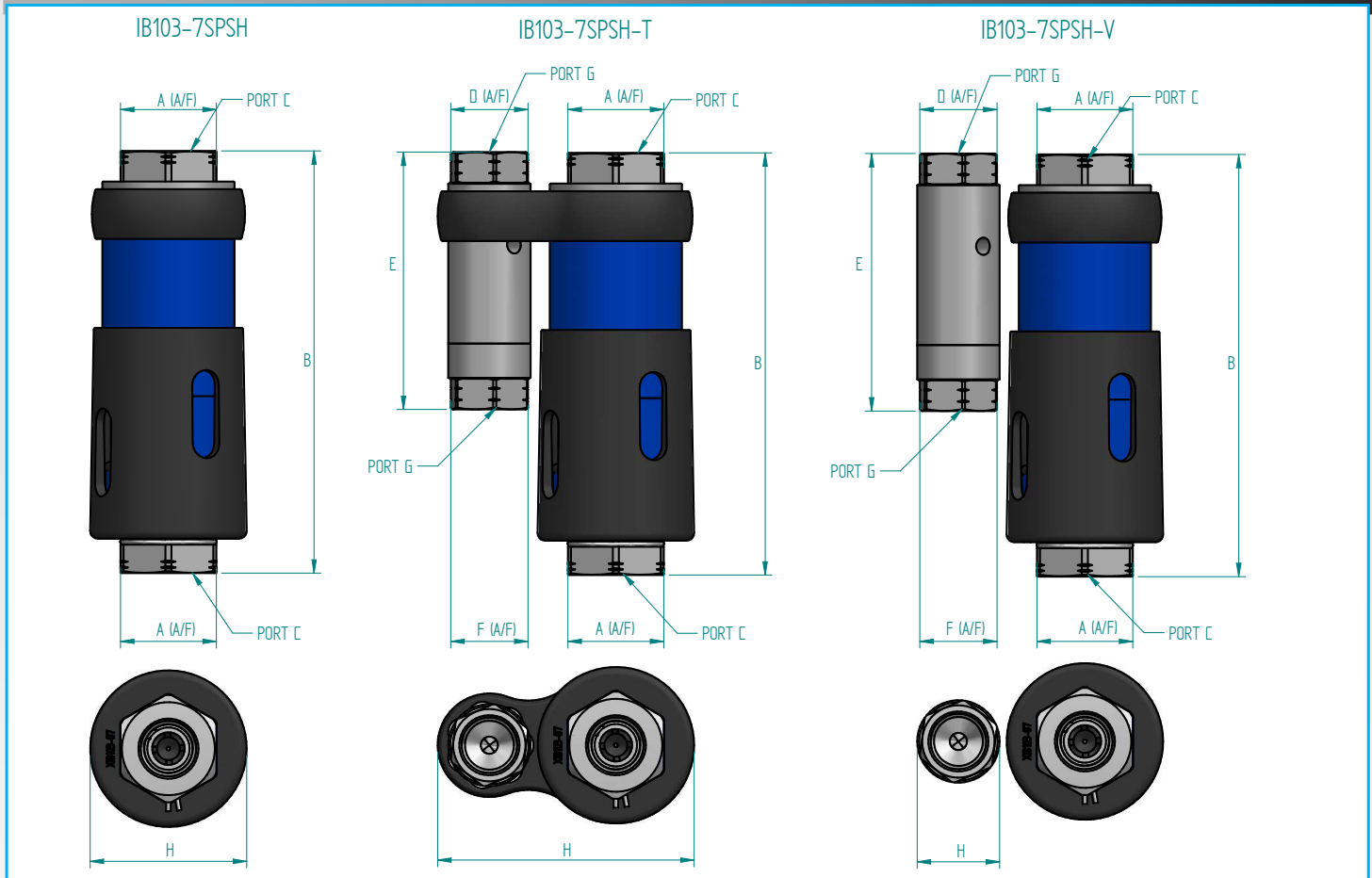
Replacement male end of breakaway available for purchase separately.

SAE Ports to SAE1926-1 are standard.

Vent breakaway available mounted or separate.



100 Series Dispenser Breakaway



Dimensions Inch (mm)

Part Code	Size	A (A/F)	B	PORT C	D (A/F)	E	F (A/F)	PORT G	ØH	Breakaway Force
IB103-7SPSH	3/8"	1" (25)	4.34"(110.2)	9/16-18 SAE FEMALE	0.67"(17)	2.64"(67)	0.75"(19)	9/16-18 SAE FEMALE	1.61"(41)	222N < 660N 50lbf < 148lbf
IB103-7SPSH-T ^H	3/8"	1" (25)	4.34"(110.2)	9/16-18 SAE FEMALE	0.67"(17)	2.64"(67)	0.75"(19)	9/16-18 SAE FEMALE	2.64"(67)	222N < 660N 50lbf < 148lbf
IB103-7SPSH-V ^H	3/8"	1" (25)	4.34"(110.2)	9/16-18 SAE FEMALE	0.67"(17)	2.64"(67)	0.75"(19)	9/16-18 SAE FEMALE	0.85"(21.5)	222N < 660N 50lbf < 148lbf

^H Includes IB102-6AXXP Vent Hose Breakaway - more information about this product in its respective data sheet.

Product Specification

Part Code	Mass lb (kg)	Max. Operating Pressure bar (psi) *	Test Pressure bar (psi) **	Min. Temp. °F (°C)	Max Temp. °F (°C)	Cycles Before Rekit [^]	Max. Number of Disconnects [#]	Cv	Service Kit
IB103-7SPSH	0.86 (0.39)	312.5 (4532)	375 (5440)	-40 (-40)	150 (65)	100,000	10	1.65	IB103-SK
IB103-7SPSH-T	1.15 (0.52)	312.5 (4532)	375 (5440)	-40 (-40)	150 (65)	100,000	10	1.65	IB103-SK / IB102-SK1
IB103-7SPSH-V	1.15 (0.52)	312.5 (4532)	375 (5440)	-40 (-40)	150 (65)	100,000	10	1.65	IB103-SK / IB102-SK1

* Maximum pressure which the product can be constantly operated at.

** Maximum pressure that can be applied for leak testing without causing damage to the product.

[^] It is recommended that the breakaway is re-kitted on or before the maximum usage duration to ensure it remains leak tight. The temperature's and cycles stated depend on the system conditions and may not be achievable in all situations. Contact Oasis for further information.

[#] Maximum number of disconnects recommended before the product is serviced.

We reserve the right to modify product specifications without prior notice.



100 Series Dispenser Breakaway

Replacement IB103 Breakaway Male

Breakaway male parts may get damaged when hitting the ground during a separation event. This part can be purchased individually in order to minimize waste and cost of having to replace the complete breakaway.

The black male guard has been designed to minimise potential damage to the male cap on a separation event.



IB103-7SPSH-M - Breakaway Male Replacement

Materials

Item	Part	Material
1	Male Cap	316 Stainless steel
2	O-rings	Nitrile
3	Male Guard	Black Urethane
4	Bump Clip	302 Stainless Steel



100 Series Vent Hose Breakaway

Applications

Vent hose breakaway designed for use with both public and private CNG refueling stations.



IB102-6AXXP - Vent Hose Breakaway (Only For Vent Hose)

Materials

Item	Part	Material
1	Female Body	316 Stainless steel
2	Male Cap	316 Stainless steel
4	O-rings	Nitrile
5	Locking Spring	316 Stainless steel

Product Information

Product design to be used in dispenser vent hoses only, gas trapped in vent hose will be vented to atmosphere once separated in case of disconnection event.

All products are manufactured under ISO 9001 accredited standards.

Complies to relevant parts of ANSI/IAS NGV4.4-1999 R2014 / CSA12.54-M99.

Complies to PED 2014/68/EU.

CRN (OH22035.5C) approved for all provinces and territories.

SAE Ports to SAE1926-1 are standard.

Features & Benefits

Easily reconnected after a breakaway event.

Body tested to 102,000 pressure cycles.

Made from durable and corrosion resistance materials.

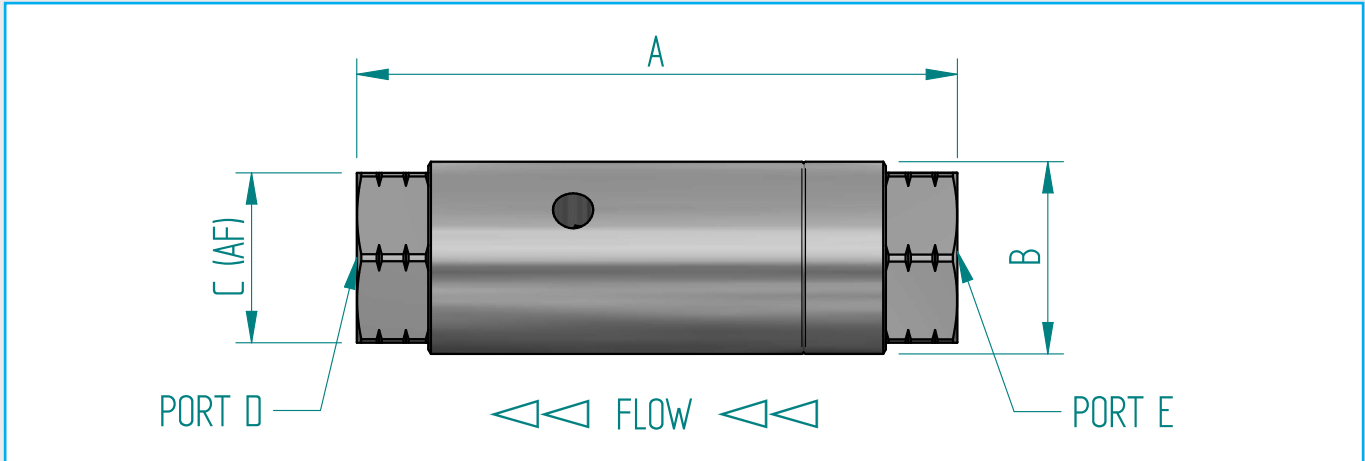
Pressure balanced connection that eliminates unwanted separation.

Easily serviceable with two piece assembly.

Light weight design reduces damage to dispensers.



100 Series Vent Hose Breakaway



Dimensions Inch (mm)

Part Code	A	Ø B	C (AF)	Port D	Port E
IB102-6AXXP	2.64" (67)	0.84" (21.5)	0.75" (19)	9/16"-18 SAE Female	9/16"-18 SAE Female

Product Specification

Part Code	Mass lb (kg)	Max. Operating Pressure bar (psi) *	Test Pressure bar(psi) **	Min. Temp. °F (°C)	Max Temp. °F (°C)	Cycles Before Rekit [^]	Max Number of Disconnects [#]	Separation Force	Service Kit
IB102-6AXXP	0.29 (0.13)	312.5 (4530)	375 (5440)	-40 (-40)	150 (65)	100,000	10	100N < 220N 22.5lbf < 49.5lbf	IB102-SK1

* Maximum pressure at which the product can constantly operate at.

** Maximum pressure that can be applied for leak testing without causing damage to the product.

[^] It is recommended that the breakaway is re-kitted on or before the maximum usage duration to ensure it remains leak tight. The temperature's and cycles stated depend on the system conditions and may not be achievable in all situations. Contact Oasis for further information.



300 Series Ultra Fast Fill Quick Coupler

Applications

Fast Flow Filling Systems, Storage Cascade to Trailer/Transporter, Trailer/Transporter connection to Daughter station and direct feed to CNG Dispensers. Suitable for CNG and Bio-Gas.



HC308-6NDDN - 1" Quick Release Coupler

Materials

Item	Description	Material
1	HC Female Body	316 Stainless Steel
2	HC Male Body	316 Stainless Steel
3	Body O-ring	Nitrile
4	Back-up	Nitrile
5	Sleeve	316 Stainless Steel
6	Sleeve Retainer	302 Stainless Steel
7	Sleeve Spring	302 Stainless Steel

Item	Description	Material
8	Segments	420 Stainless Steel
9	Poppet Stem	316 Stainless Steel
10	Poppet O-ring	Nitrile
11	Poppet Seal	Delrin
12	Poppet Retainer	316 Stainless Steel
13	Poppet Spring	302 Stainless Steel
14	Poppet Guide	316 Stainless Steel

Product Information

NPT female is standard configuration and conforms to ASME B1.20.1. For a direct manifold connection option, see 300 Series Ultra Fast Fill Quick Coupler - SAE Male.

A special adaptor is available which allows standard male couplers to fit in most Type 4 TITAN® trailers, see TITAN® Trailer Adapter.

Male and female are sold individually.

All products are manufactured to ISO 9001 standards.

Compatible with ISO7241 Series B Profile and is connectable with Oasis HC208 couplers.

Complies to PED 2014/68/EU.

CRN (0A01257.987421) approved for Prince Edward Island, New Brunswick, Nova Scotia, Manitoba, Alberta and British Columbia, other areas pending.

The use of hose restraints is recommended while using the HC308 couplers, contact Oasis Engineering for more info.

More product information available online at www.oasisngv.com

Features & Benefits

Industry leading flow rates.

Anti-leak spring loaded poppets instantly stops gas flow when disconnected, greatly increasing safety and reducing the amount of debris entering the system.

Specifically designed for high pressure CNG use.

Stainless steel construction gives corrosion and wear resistance.

Hardened segment connection style increases gripping surface area. This significantly reduces wear on male couplings.

Designed to be uncoupled/coupled at atmospheric pressure (0psi gauge) only making accidental disconnection very difficult, improving the safety of the device.

Integrated lock in place sleeve to ensure correct coupling is achieved.

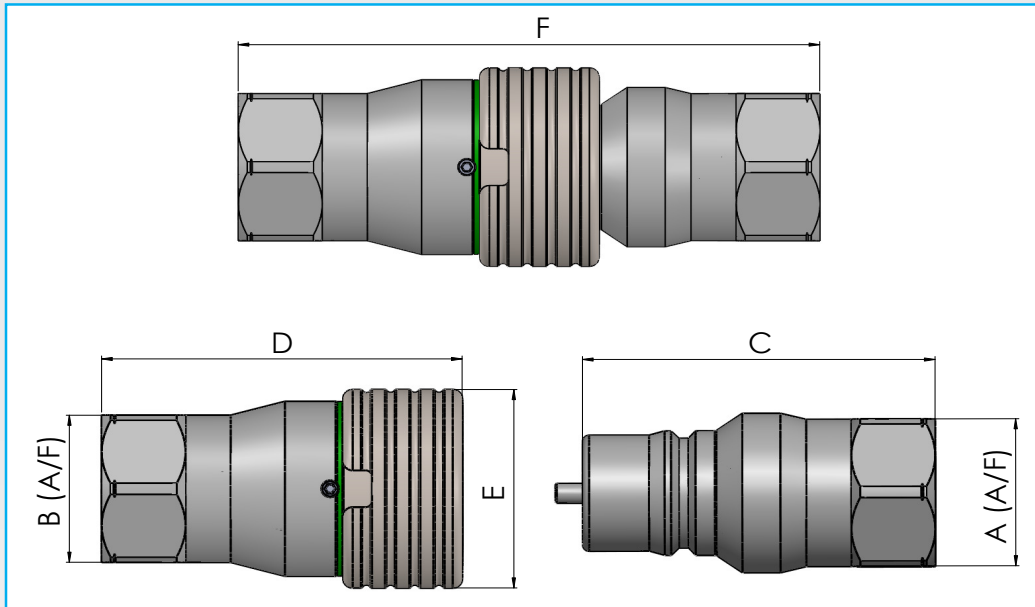
A green ring is visible on female only when the device is correctly coupled, improving the visual confirmation that it is correctly joined to a male before pressurizing.

Male coupler includes recommended dust cap.

Service kits are readily available & easy to install.



300 Series Ultra Fast Fill Quick Coupler



Dimensions: Imperial (mm)

Part Code	Nominal Size	A (A/F)	B (A/F)	C	D	E	F	Threads
HC308-6NDDN-M	1"	1.89" (48)	-	4.3" (109.3)	-	-	7.1" (180.3)	1" NPT Female
HC308-6NDDN-F	1"	-	1.89" (48)	-	4.4" (111.8)	2.55" (64.8)	7.1" (180.3)	1" NPT Female

-M Male Part
-F Female Part

Product Specification

Part Code	Mass lb (kg)	Min. Operating Pressure bar (psi) *	Max. Operating Pressure bar (psi) **	Min. Temp. °F (°C)	Max. Temp. °F (°C)	Cycles Before Rekit [^]	Cv ^{^^}	Service Kit
HC308-6NDDN-M	2.2 (1)	6.9 (100)	345 (5000)	-40 (-40)#	185 (85)	20,000	23	HC308-SKDDN-M
HC308-6NDDN-F	3 (1.4)	6.9 (100)	345 (5000)	-40 (-40)#	185 (85)	20,000	23	HC308-SKDDN-F

* Minimum system pressure the product will hold constant bubble tight seal.

** Maximum pressure at which the product can continuously operate at.

[^] It is recommended that the coupler is re-kitted on or before the maximum number of allowable cycles.

^{^^} CV measured when coupled to corresponding Oasis coupler.

Coupler bodies and structural components are made from 316 Stainless steel to ensure pressure vessel suitability to -100°F. Contact us if you require more information about suitability at these low temperatures.

-M Male Part
-F Female Part



300 Series Ultra Fast Fill Quick Coupler

HC308 Dust Cap

The Oasis Dust Cap has been designed to protect the HC308 Male Coupler from damage, dust and debris. Oasis recommends the use of the dust cap to maintain the life of the product.

Product Information

For use with HC308-6NDDN-M only.

Included with all male couplers.

Used to keep dust and debris out of the couplers and the system.

Slim design ensures male coupler can still be used with TITAN® trailers.

Durable plastic design.

Available for purchase separately.



HC308-DC - 1" Quick Release Coupler Dust Cap

Retainer Tool

Tool required to complete servicing of coupler. Designed to fit over poppet retainer for easy removal and installation.

Product Information

Made from 4140 Steel.

Sold Separately.

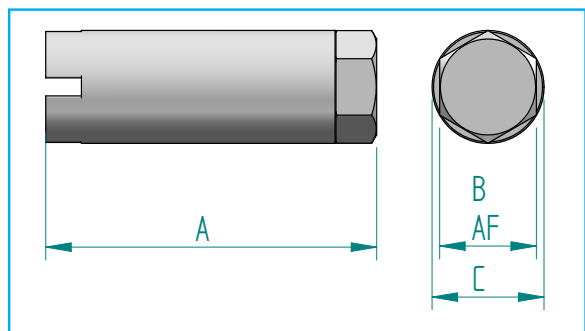
Tightening torque stamped on body.



HC308-TOOL - Service tool

Dimensions: Imperial (mm)

Part Code	A	B AF	C
TOOL-HC308	2.56"(65)	3/4"(19)	0.87"(22)



We reserve the right to modify product specifications without prior notice.



300 Series Ultra Fast Fill Quick Coupler

HC308 Dummy Male

Dummy male fitting to hold HC308 Female Coupler off the ground when not in use. Oasis recommends the use of this product to avoid damage to the female coupler.

Product Information

Made from durable plastic.

Fits into female coupler like a standard male coupler.

Designed to be bolted in place using a 1/4" (6mm) cap screw.

Sold separately.



SHC308-18 - Dummy Male

HC308 Ice Cover

The Oasis Ice Cover prevents ice build up on the HC308 Coupler while in use in cold climates or high flow applications.



HC308-COVER - 1" Quick Coupler Ice Cover



HC308-COVER in use

Product Information

Designed for exclusive use with all Oasis HC308 couplers.

Used to prevent ice build-up, which can make the HC308 hard to uncouple.

High strength, durable plastic body with neoprene insulation, designed to operate in low temperatures.

Corrosion resistant Stainless Steel cap screws.

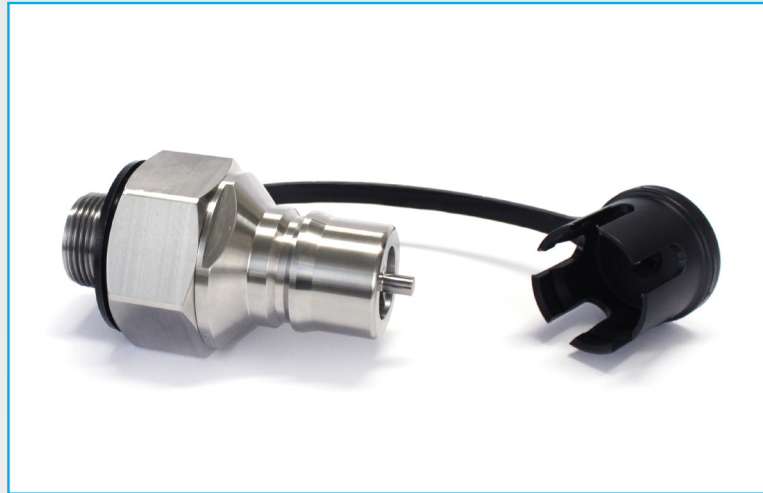
For replacement options contact Oasis.



300 Series Ultra Fast Fill Quick Coupler - SAE Male

Applications

Fast Flow Filling Systems, Storage Cascade to Trailer/Transporter, Trailer/Transporter connection to Daughter station and direct feed to CNG Dispensers. Suitable for CNG, Bio Gas, Nitrogen and Air.



HC308-6DDDN-M - 1" Ultra Fast Fill Quick Coupler - SAE Male

Materials

Item	Description	Material
1	HC Male Body	316 Stainless Steel
2	HC Male End Cap	316 Stainless Steel
3	Body O-ring	Nitrile
4	Back-up	Nitrile
5	SAE O-ring	Nitrile
6	Poppet Stem	316 Stainless Steel

Item	Description	Material
7	Poppet O-ring	Nitrile
8	Poppet Seal	Delrin
9	Poppet Retainer	316 Stainless Steel
10	Poppet Spring	302 Stainless Steel
11	Poppet Guide	316 Stainless Steel
12	Dust Cap	Nylon

Product Information

SAE male thread to SAE J1926-2 Heavy Duty standard.

All products are manufactured to ISO 9001 standard.

Compatible with ISO7241 Series B Profile and is connectable with Oasis HC208 couplers.

Complies to PED 2014/68/EU.

Designed to be uncoupled/coupled at atmospheric pressure (0psi gauge) only.

Recommended for use with Oasis HC308 Female Coupler, see 300 Series Ultra Fast Fill Quick Coupler.

The use of hose restraints is recommended while using the HC308 couplers, contact Oasis Engineering for more info.

More product information available online at www.oasisngv.com

Features & Benefits

Industry leading flow rates.

Male SAE thread allows for direct connection to trailer manifolds without the need for fittings or adapters. This reduces the number of potential leak points in the system.

Compact design makes coupler compatible with all TITAN® trailers, where the manifold is close to the trailer doors.

Anti-leak spring loaded poppets instantly stops gas flow when disconnected, greatly increasing safety and reducing the amount of debris entering the system.

Specifically designed for high pressure CNG use.

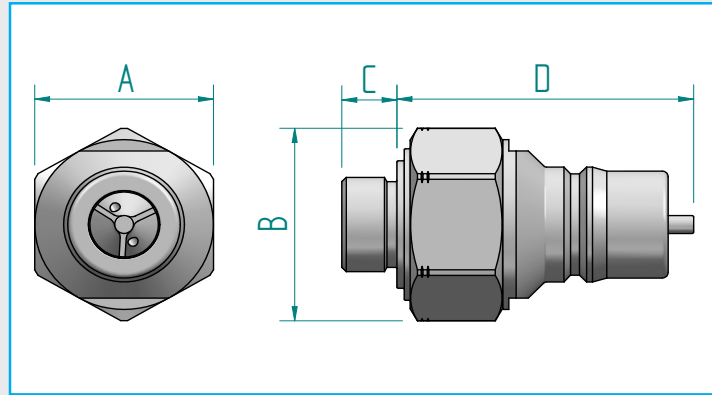
All stainless steel construction gives corrosion and wear resistance.

All male couplers supplied with recommended dust cap.

Service kits are readily available & easy to install.



300 Series Ultra Fast Fill Quick Coupler - SAE Male



Dimensions: Imperial (mm)

Part Code	Nominal Size	A (A/F)	B	C	D	Threads
HC308-6DDDN-M	1"	2.36" (60)	2.68" (68)	0.73" (18.5)	3.59" (99.6)	1 5/16"-12 SAE Male

-M Male Part

Product Specification

Part Code	Mass lb (kg)	Min. Operating Pressure bar (psi) *	Max. Operating Pressure bar (psi) **	Min. Temp. °F (°C)	Max. Temp. °F (°C)	Cycles Before Rekit [^]	Cv ^{^^}	Service Kit
HC308-6DDDN-M	2.7 (1.2)	6.9 (100)	345 (5000)	-40 (-40)	185 (85)	20,000	23	HC308-SKDDDN-M

* Minimum system pressure the product will hold constant bubble tight seal.

** Maximum pressure at which the product can continuously operate at.

[^] It is recommended that the coupler is re-kitted on or before the maximum number of allowable cycles.

^{^^} CV measured when coupled to corresponding Oasis coupler.

-M Male Part



300 Series Ultra Fast Fill Quick Coupler - SAE Male

HC308 SAE Male Dust Cap

The Oasis Dust Cap has been designed to protect the HC308 SAE Male Coupler from damage, dust and debris. Oasis recommends the use of the dust cap to maintain the life of the product.

Product Information

For use with HC308-6DDDN-M only.

Included with all male couplers.

Used to keep dust and debris out of the couplers and the system.

Slim design ensures dust cap can still be used with TITAN® trailers.

Durable plastic design.

Available for purchase separately.



HC308-SDC - 1" Ultra Fast Fill Quick Coupler - SAE Male Dust Cap

HC308 Ice Cover

The Oasis Ice Cover prevents ice build up on the HC308 Coupler while in use in cold climates or high flow applications.



HC308-COVER - 1" Quick Coupler Ice Cover



HC308-COVER in use

Product Information

Designed for exclusive use with all Oasis HC308 couplers.

Used to prevent ice build-up, which can make the HC308 hard to uncouple.

High strength, durable plastic body with neoprene insulation, designed to operate in low temperatures.

Corrosion resistant Stainless Steel cap screws.

For replacement options contact Oasis.

We reserve the right to modify product specifications without prior notice.