

On airports with hydrant systems, operators have to deal with DN 100 (4") hose assemblies to safely connect a hydrant dispenser with the pit valve.

Elaflex has developed the hose trolley range 'HTR' to ease the handling of intake hose assemblies on dispensers and to additionally increase their longevity.

Our 'HTR-AF' hose trolley comes with two robust rubberised free rotating wheels for heavy duty and intensive use on airfields. We offer a fixed or swivelled handle as option. Suitable for DN 100 (4") aircraft refuelling hoses.

MATERIALS

Style A: Polyester powder coated carbon steel (St) or stainless steel (SS)

Style B: Aluminium

COLOURS



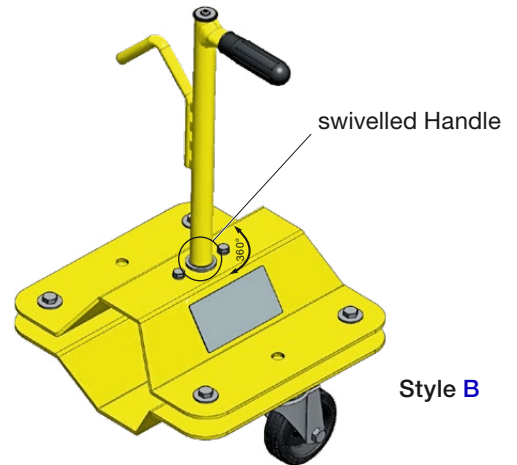
RAL 1016
(standard)











Special Colours
(on request)



Style A



Style B

 Hose Size ^{*)}		 Capacity	 Hose-Tolerance	 Wheel Diameter	 Size	 Style	 Weight	 Part Number
Inch	mm	OD Ø (mm)	WD Ø (mm)	W x D x H (mm)	(fixed or swivelled handle)	kg	Type	
4"	100	114 - 118	80	260 x 260 x 535	A	7	HTR-AF 100 St	
4"	100	116 - 118	80	280 x 260 x 489	B	4,2	HTR-AF 100 Al	

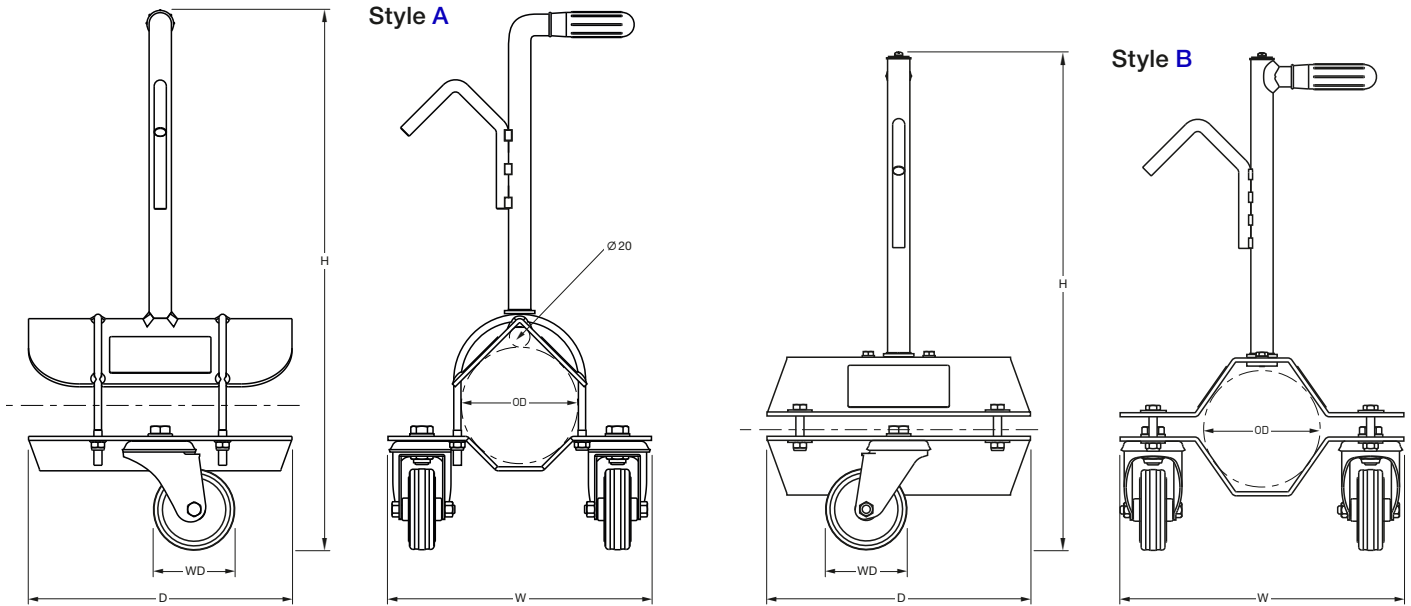
^{*)} other hose sizes on request

ADVANTAGES

- relieves operators from strains
- brightly coloured marking to increase visibility on the ground
- solid handle for easy hose movement (use of swivelled handle prevents operator by uncontrolled movements of the hose)
- height and shape of the hook adjustable to customer's request



MEASUREMENTS



MOUNTING HINTS

The upper and lower part of the 'HTR-AF' hose trolley can be easily assembled by fastening four nuts on the lower part.

'HTR-AF' is supplied with a calendared pipe. This allows to maintain the full round hose section and to adjust the space between the two parts according to the outer diameter of the hose.

All edges and corners are rounded to ensure best protection of the hose cover.

'HTR-AF' is provided with reflective stickers on the upper part.

